

**BALDOR® • RELIANCE** 

**Product Information Packet**

**EH3M9246T**

**30HP, 1775RPM, 3PH, 60HZ, 286T, 4048M, OPSB, F3**

Part Detail							
Revision:	J	Status:	INA/A	Change #:		Proprietary:	No
Type:	AC	Elec. Spec:	40WGW411	CD Diagram:	CD0180	Mfg Plant:	
Mech. Spec:	40K097	Layout:	40LYK097	Poles:	04	Created Date:	
Base:	RG	Eff. Date:	05-18-2010	Leads:	9#10		

Specs			
Catalog Number:	EH3M9246T	Inverter Code:	Not Inverter
Enclosure:	ODP	KVA Code:	G
Frame:	286T	Lifting Lugs:	Standard Lifting Lugs
Frame Material:	Steel	Locked Bearing Indicator:	No Locked Bearing
Output @ Frequency:	30.000 HP @ 60 HZ	Motor Lead Quantity/Wire Size:	9 @ 10 AWG
Synchronous Speed @ Frequency:	1800 RPM @ 60 HZ	Motor Lead Exit:	Ko Box
Voltage @ Frequency:	230.0 V @ 60 HZ	Motor Lead Termination:	Flying Leads
	460.0 V @ 60 HZ	Motor Type:	4048M
Auxillary Box:	No Auxillary Box	Mounting Arrangement:	F3
Auxillary Box Lead Termination:	None	Power Factor:	82
Base Indicator:	Rigid	Product Family:	General Purpose
Bearing Grease Type:	Polyrex EM (-20F +300F)	Pulley End Bearing Type:	Ball
Blower:	None	Pulley Face Code:	Standard
Current @ Voltage:	37.000 A @ 460.0 V	Pulley Shaft Indicator:	Standard
	74.000 A @ 230.0 V	Rodent Screen:	None
	80.000 A @ 208.0 V	Shaft Extension Location:	Pulley End
Design Code:	B	Shaft Ground Indicator:	No Shaft Grounding
Drip Cover:	No Drip Cover	Shaft Rotation:	Reversible

<b>Duty Rating:</b>	CONT	<b>Shaft Slinger Indicator:</b>	No Slinger
<b>Electrically Isolated Bearing:</b>	Not Electrically Isolated	<b>Speed Code:</b>	Single Speed
<b>Feedback Device:</b>	NO FEEDBACK	<b>Motor Standards:</b>	NEMA
<b>Front Face Code:</b>	Standard	<b>Starting Method:</b>	Direct on line
<b>Front Shaft Indicator:</b>	None	<b>Thermal Device - Bearing:</b>	None
<b>Heater Indicator:</b>	No Heater	<b>Thermal Device - Winding:</b>	None
<b>Insulation Class:</b>	F	<b>Vibration Sensor Indicator:</b>	No Vibration Sensor

Nameplate NP1892A02										
CAT.NO.										
SPEC.	40K097W411G1									
HP	30									
VOLTS	230/460									
AMPS	74/37									
RPM	1775									
FRAME	286T				HZ	60			PH	3
SER.F.	1.15		CODE	G	DES	B		CL	F	
NEMA-NOM-EFF	93		PF	82						
RATING	40C AMB-CONT									
CC	010A				USABLE AT 200V					80
DE	6311				ODE	6309				
AUTO			MANUAL			NONE				
ENCL	OPSB		SN							
BLANK										

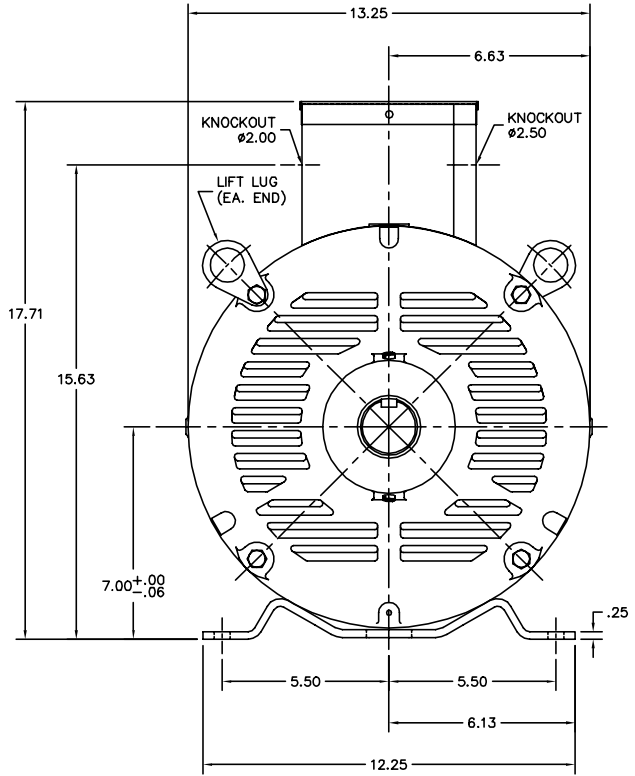
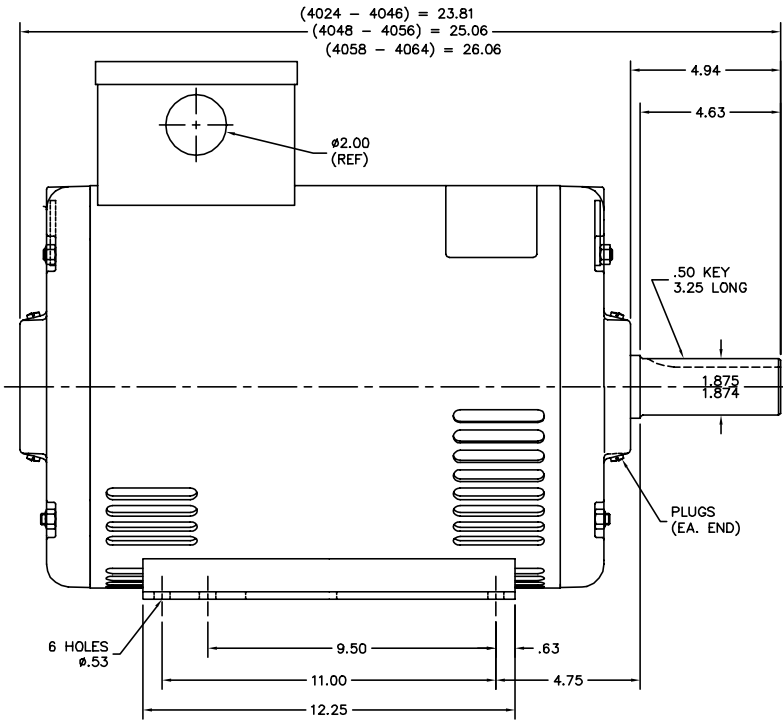
Parts List		
Part Number	Description	Quantity
SA080881	SA 40K097W411G1	1.000 EA
RA074269	RA 40K097W411G1	1.000 EA
HA6361A01	LIFTING LUG FOR 37, 39 & 40 FRAME ZINC	2.000 EA
40CB4000A01	CONDUIT BOX 40, STAMPED	1.000 EA
51XF2520A08	SCREW,1/4-20X1/2 TAPTITE-II OR ROLOC 91	2.000 EA
HW1001A25	LOCKWASHER 1/4, ZINC PLT .493 OD, .255 I	2.000 EA
WD1000B16	T&B CX70TN OR L70P TERMINAL LUG	1.000 EA
40EP3200A02	STD FREP OPEN 309 BRG	1.000 EA
HW5100A11	W3917-042 WVY WSHR (WB)	1.000 EA
40EP3200B05	STD PUEP OPEN 311 BRG	1.000 EA
XY3816A12	3/8-16 FINISHED NUT	8.000 EA
39CB4500A01	CONDUIT BOX LID 39, STAMPED, W/ PRIMER	1.000 EA
51XF2520A08	SCREW, HEX SER SLT HD, ZN 1/4-20 X .50 L	2.000 EA
HW2501H28	KEY, 1/2 SQ X 3.250	1.000 EA
HW4500A20	1/8NPT SL PIPE PLUG	2.000 EA
MJ1000A02	GREASE, MOBIL POLYREX EM - 124047	0.050 LB
HW4500A20	1/8NPT SL PIPE PLUG	2.000 EA
HA3154A04	THRUBOLT STUD 3/8-16 X 18.750	4.000 EA
MG1000G59	PAINT, 689.959 WILKO SILVER	0.070 GA
40AD2002B01	LEXAN BAFFLE 40 FR OPEN	1.000 EA
LB1172A01	CUSTOM MTR CARTON LABEL LASER PRINTER	4.000 EA
40AD2002B01	LEXAN BAFFLE 40 FR OPEN	1.000 EA
MN416A01	TAG-INSTAL-MAINT no wire (1200/bx) 3/19	1.000 EA
NP1892A02	NP LABEL W/CD0180 (FOR PREM EFFICIENCY H	1.000 EA

<b>Parts List (continued)</b>		
<b>Part Number</b>	<b>Description</b>	<b>Quantity</b>
42PA1000	PACKAGING GROUP PRINT PK1024A06	1.000 EA
LB1417	LABEL CARTON 6X4 PERFORATED BLANK ROLLS	1.000 EA

<b>Accessories</b>		
<b>Part Number</b>	<b>Description</b>	<b>Multiplier</b>
40-1400	C FACE KIT	A8

No performance data has been  
assigned to this product.

40LYK097



CUSTOMER IS RESPONSIBLE FOR DETERMINING THAT MOTOR PERFORMANCE IS SUITABLE IN THE APPLICATION.

REV. DESC: NEW				TDR: 253662
REV. LTR: -	BY: BDB	REVISED: 07:31:39 11/09/2001		
FILE: AAA00090169				REF: 40LYK097
MTL: -				

**BALDOR ELECTRIC Co.**

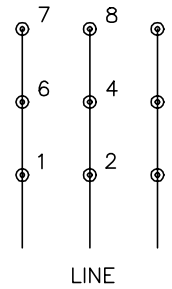
HORZ OPSB 284-6T F3 MTG HVAC MOTOR

40LYK097

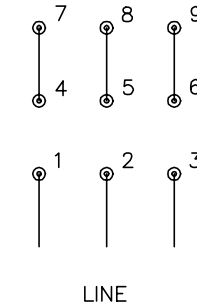
CD0180



LOW VOLTAGE  
(2D)



HIGH VOLTAGE  
(1D)



NOTES:

1. INTERCHANGE ANY TWO LINE LEADS TO REVERSE ROTATION.
2. OPTIONAL THERMOSTATS ARE PROVIDED WHEN SPECIFIED.
3. ACTUAL NUMBER OF INTERNAL PARALLEL CIRCUITS MAY BE A MULTIPLE OF THOSE SHOWN ABOVE.
4. LEAD COLORS ARE OPTIONAL. LEADS MUST ALWAYS BE NUMBERED AS SHOWN.

CD0180

REV. DESC: ADD CLASS CONN00000007		
REV. LTR: D	VERSION: 01	TDR: 000001099922
FILE: \AAA\00005\148	REVISED: 10:25:29 02/19/2019	BY: ENBRIRO
MTL: -	© □	

**BALDOR - RELIANCE®**

3PH, DV, 9 LEADS, DELTA CONNECTION

SH 1 of 1